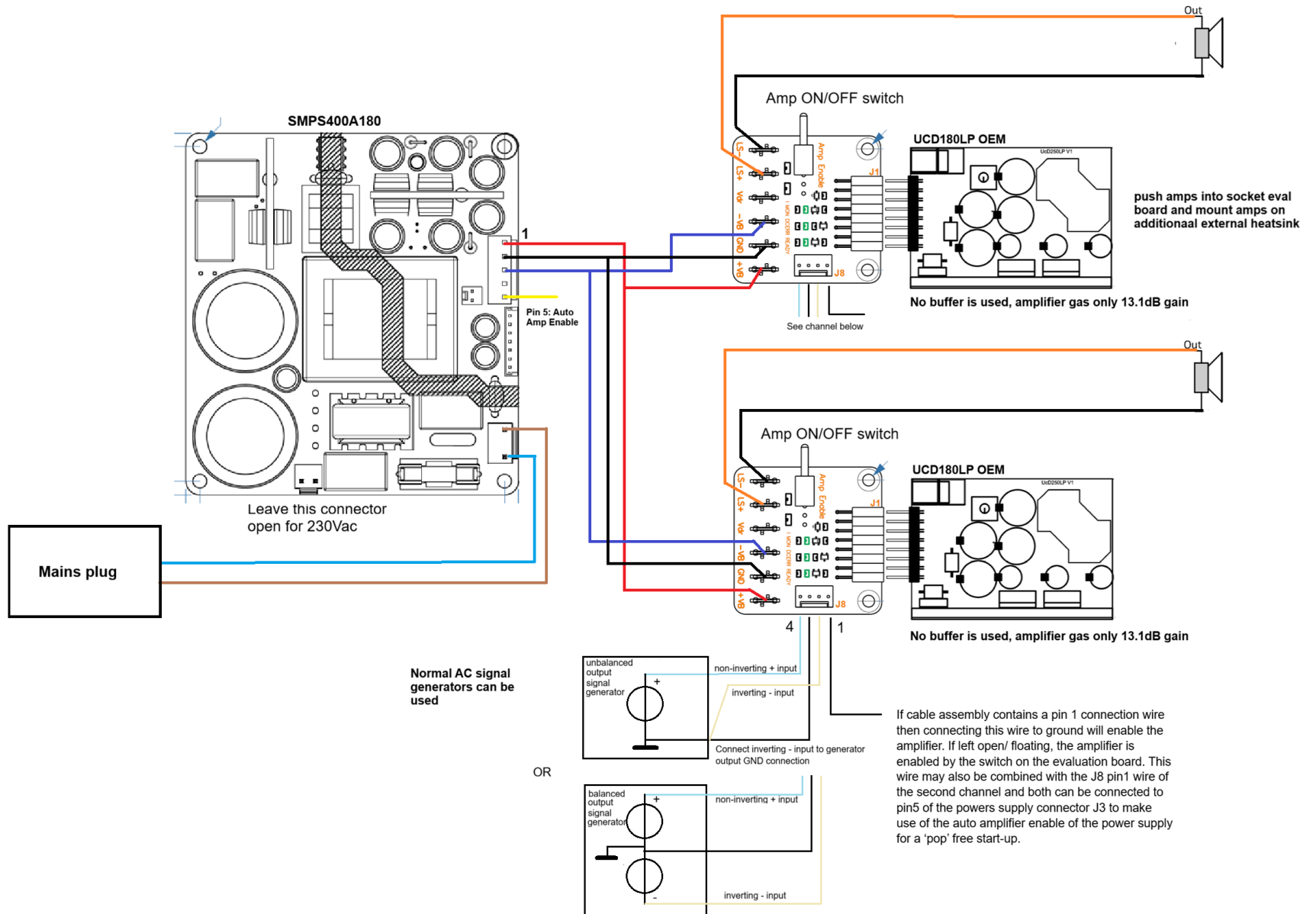


# WIRING DIAGRAM Hypex UCD180LP



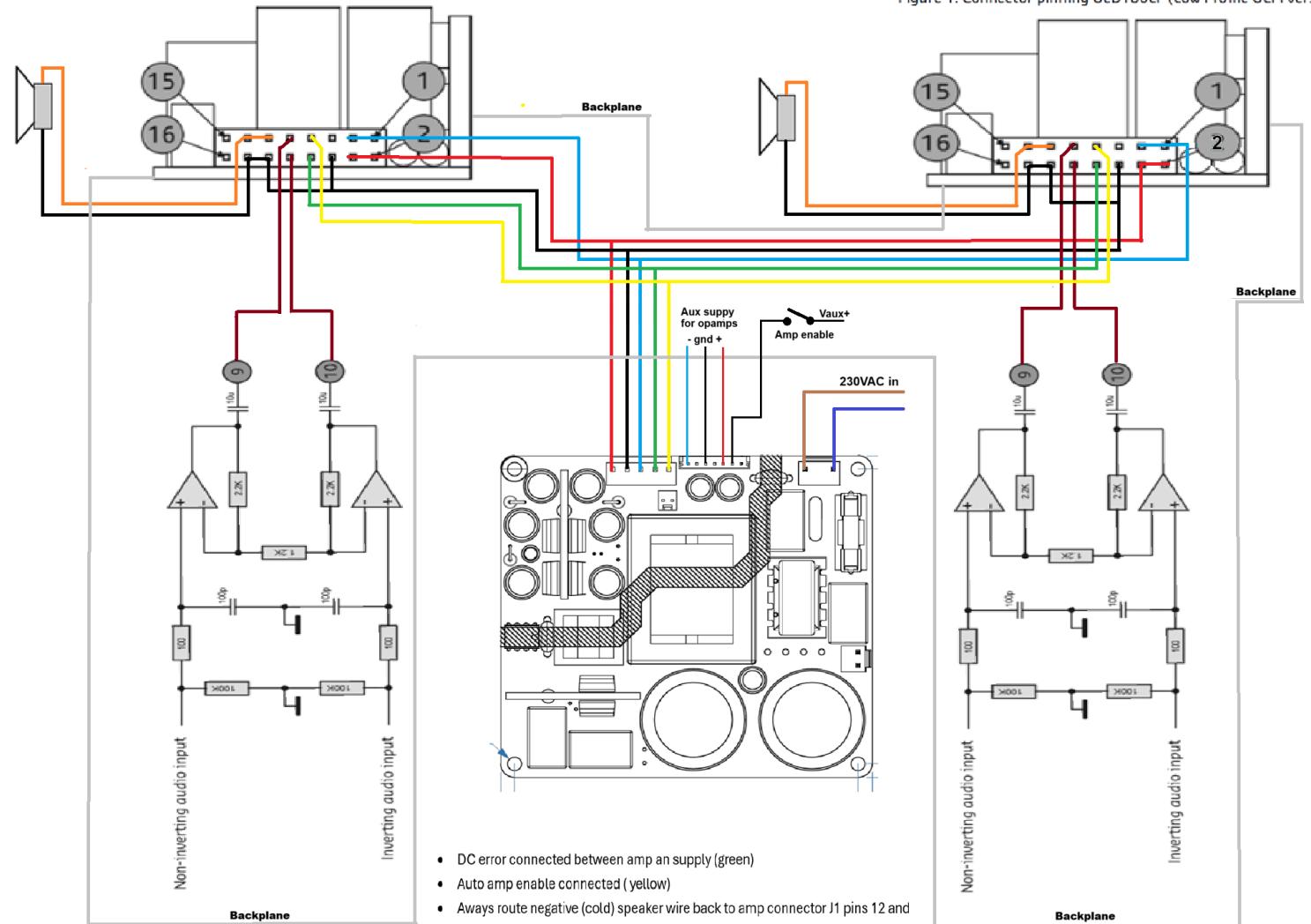
**NOTE!** Be aware that the amplifier is DC coupled!  
DC offset on input will be amplified to the output !

# WIRING DIAGRAM Hypex UCD180LP

## Possible UCD180LP OEM back plane set-up with buffer

Figure 1: Connector pinning Ucd180LP (Low Profile OEM version).

Figure 1: Connector pinning Ucd180LP (Low Profile OEM version).



- DC error connected between amp an supply (green)
- Auto amp enable connected (yellow)
- Always route negative (cold) speaker wire back to amp connector J1 pins 12 and 14, keep hot and cold speaker wires in parallel up to amp connector J1 pins. **Do not** use a general ground connection anywhere on a backplane.
- Pins 6,12,14 of amp connectors can be directly connected to one large back plane ground, directly at the connector.
- Amps enable controlled via input on SMPS400 supply connector J5 pin 2.