

UcD102 OEM evaluation board

Introduction

This OEM Connector conversion board is specifically designed to make it easy to evaluate the UcD102 OEM module.

The amplifier module can be switched on or off using the on-board Amp Enable switch.

It features 4-pin MOLEX® Micro-fit 3.0™ series connectors for audio input signals.

Features

- Allows for easy evaluation of the UcD102 OEM
- Amp Enable switch
- Hypex NCore Signal cable compatible

Connector Pins

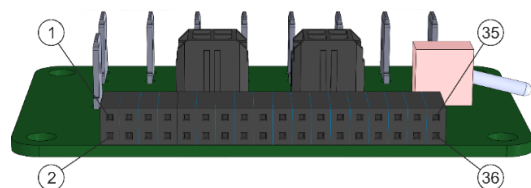
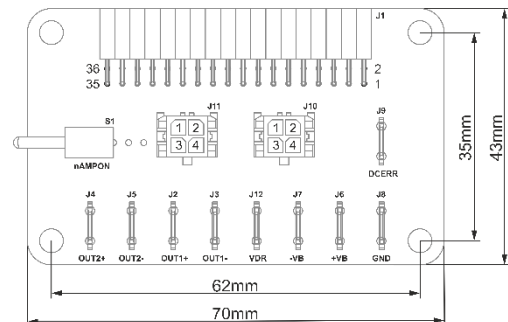
Pinout J1, OEM connector

This pin-out is given for convenience only, it should be connected directly to the UcD102 OEM module.

Pin	Function
1, 2	Loudspeaker 1 connection (hot)
3, 4	Loudspeaker 1 connection (cold)
5,15,16,22,32	Ground
6	INC: inverting audio input 1
7	INH: non-inverting audio input 1
8,9,10,11,12,13,14	Not connected
17,18	Positive power supply
19,20	Negative power supply
21	External Vdr supply. Connect to Ground if not used.
23,24,25,26	Not connected
27	nAMPON input (active low)
28	DC Error output
29	Not connected
30	INH: non-inverting audio input 2
31	INC: inverting audio input 2
33,34	Loudspeaker 2 connection (cold)
35,36	Loudspeaker 2 connection (hot)

Switch S1

nAMPON control, use S1 to switch the amplifier ON or OFF.



Audio input J10

Pin	Function
1	INH: noninverting audio input 1
2	INC: inverting audio input 1
3	Not connected
4	Ground

Connector type: 2x2 pin Microfit header type 43045-0412 (see www.molex.com), Matching cable part 43025-0400.

Audio input J11

Pin	Function
1	INH: noninverting audio input 2
2	INC: inverting audio input 2
3	Not connected
4	Ground

Connector type: 2x2 pin Microfit header type 43045-0412 (see www.molex.com), Matching cable part 43025-0400.

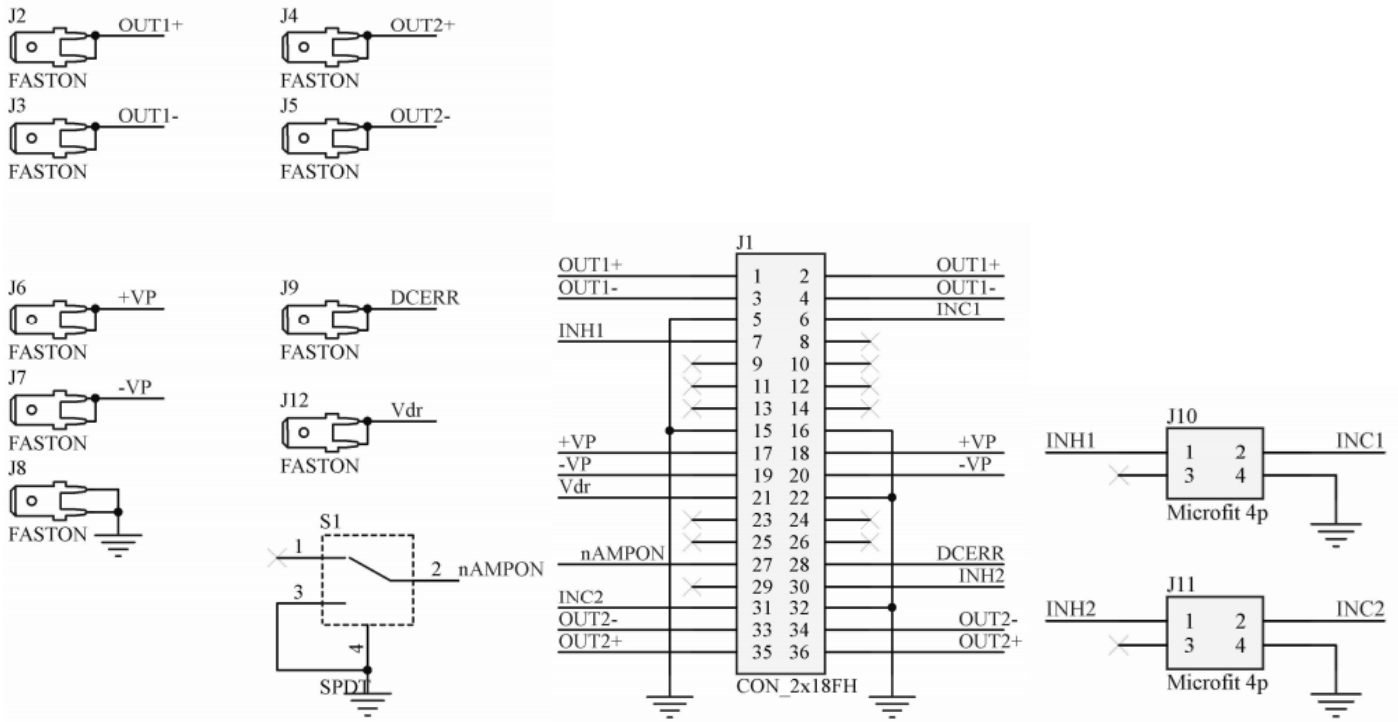
Supply connector and speaker output

Faston	Function
OUT2+	Loudspeaker connection 2 (hot)
OUT2-	Loudspeaker connection 2 (cold)
OUT1+	Loudspeaker connection 1 (hot)
OUT1-	Loudspeaker connection 1 (cold)
-VB	Negative power supply
+VB	Positive power supply
GND	Ground
DCERR	DC error output

Faston Terminal, 6.35mm x 0.81m, Brass.

For further details regarding specific IOs and performances, please refer to the UcD102 OEM datasheet.

1 Schematic



2 Revisions

Document revision	Module revision	Change log	Date
01	V0.0	Release version	Sep '14
02	V0.1	Revised version	Mar '19

3 Disclaimer

All products, product specifications and data are subject to change without notice to improve reliability, function or design or otherwise.

Hypex Electronics BV, its affiliates, agents, and employees, and all persons acting on its or their behalf (collectively, "Hypex Electronics"), disclaim any and all liability for any errors, inaccuracies or incompleteness contained in any datasheet or in any other disclosure relating to any product.

This subassembly is designed for use in music reproduction equipment only. No representations are made as to fitness for other uses. Except where noted otherwise any specifications given pertain to this subassembly only. Responsibility for verifying the performance, safety, reliability and compliance with legal standards of end products using this subassembly falls to the manufacturer of said end product.

LIFE SUPPORT POLICY: Use of Hypex products in life support equipment or equipment whose failure can reasonably be expected to result in injury or death is not permitted except by explicit written consent from Hypex Electronics BV.